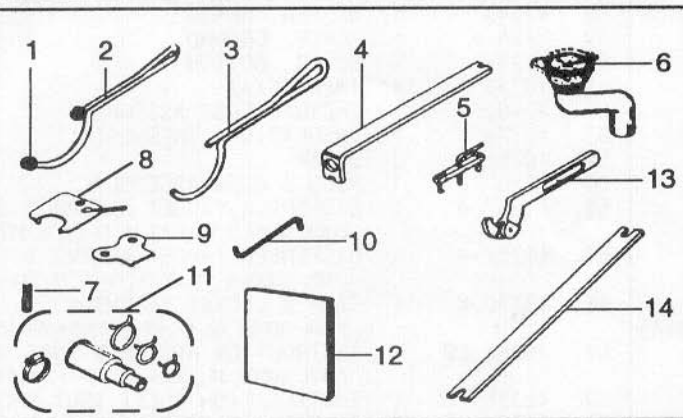


## • MANUFACTURING DATE CODE MATRIX

YEAR	JAN	FEB	MAR	APR	MAY	JUN	JUL	AUG	SEP	OCT	NOV	DEC
1985	BD	BE	BF	BG	BH	BJ	BK	BL	BM	CA	CB	CC
1986	CD	CE	CF	CG	CH	CJ	CK	CL	CM	DA	DB	DC
1987	DD	DE	DF	DG	DH	DJ	DK	DL	DM	EA	EB	EC
1988	ED	EE	EF	EG	EH	EJ	EK	EL	EM	FA	FB	FC
1989	FD	FE	FF	FG	FH	FJ	FK	FL	FM	GA	GB	GC
1990	GD	GE	GF	GG	GH	GJ	GK	GL	GM	HA	HB	HC
1991	HD	HE	HF	HG	HH	HJ	HK	HL	HM	JA	JB	JC
1992	JD	JE	JF	JG	JH	JJ	JK	JL	JM	KA	KB	KC
1993	KD	KE	KF	KG	KH	KJ	KK	KL	KM	LA	LB	LC
1994	LD	LE	LF	LG	LH	LJ	LK	LL	LM	MA	MB	MC
1995	MD	ME	MF	MG	MH	MJ	MK	ML	MM	NA	NB	NC
1996	ND	NE	NF	NG	NH	NJ	NK	NL	NM	PA	PB	PC
1997	PD	PE	PF	PG	PH	PJ	PK	PL	PM	RA	RB	RC
1998	RD	RE	RF	RG	RH	RJ	RK	RL	RM	SA	SB	SC
1999	SD	SE	SF	SG	SH	SJ	SK	SL	SM	TA	TB	TC
2000	TD	TE	TF	TG	TH	TJ	TK	TL	TM	VA	VB	VC
2001	VD	VE	VF	VG	VH	VJ	VK	VL	VM	WA	WB	WC
2002	WD	WE	WF	WG	WH	WJ	WK	WL	WM	XA	XB	XC
2003	XD	XE	XF	XG	XH	XJ	XK	XL	XM	AA	AB	AC
2004	AD	AE	AF	AG	AH	AJ	AK	AL	AM			

**NOTE:** Serial number lists must be used to determine manufacturing dates on units prior to February, 1985.

## • SERVICE TOOLS AND ACCESSORIES



Code No	Part No	Description
1	6368	Rubber Plug
2	6486	Holding Wrench Assembly
3	6093	Body Spanner Wrench
4	6462	Jam Release Wrench
5	6331	Rotor Puller
6	6073	Sink Tail Pipe Assembly
7	41245	Screwdriver Bit
8	40593	Key, Adjusting
9	40515	Wrench, Aerator
10	4577	Service Wrenchette
11	6429-D	Dishwasher Connection Kit
12		Master Service Manual (order by product type)
13	9055	Shredder Wrench
14	4173	Emergency Wrench

**ORDER PARTS BY PART NUMBER, NOT CODE NUMBERS**